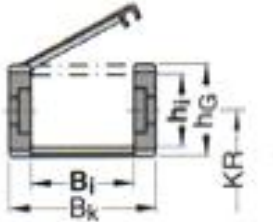
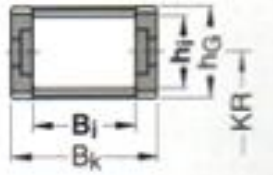


Chain Cross Sections, Chain Weights, Bend Radii and Connection Dimensions

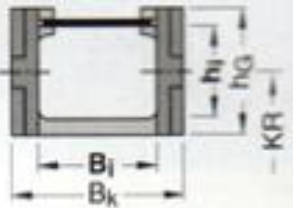
Chain Cross Section - openable
(Type 0130 + 0180)



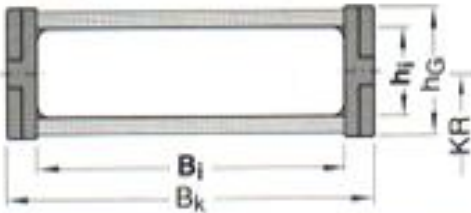
Chain Cross Section - closed
(Type 0132, 0182 + 0202)



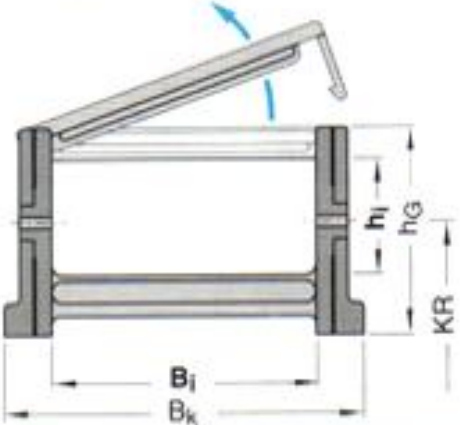
Chain Cross Section with
closing band (Chain type 0320.41)



Chain Cross Section - closed
(eg Chain Type 0450.60)

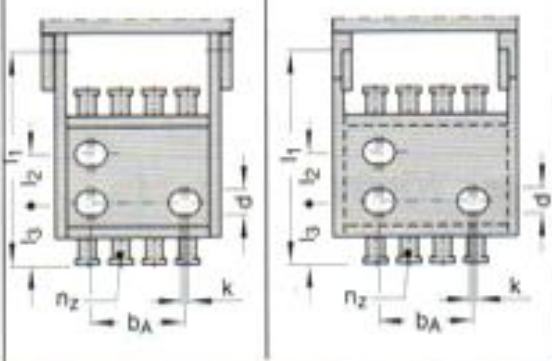


Chain Cross Section - openable
(eg Chain Type 0625.43)



Fixed Point
Connection

Driver
Connection



Chain Type	B _l	B _k	h _l	h _g	G _K	Available Bend Radii				Connection Dimensions									
										b _A	l ₁	l ₂	l ₃	d	k	n _z			
0130.06	6	12	10	12.5	0.13	20	28	37		-	27.5	8	14.5	3.2	-	1			
0130.10	10	16	10	12.5	0.14	20	28	37		-	27.5	8	14.5	3.2	-	1			
0130.15	15	21	10	12.5	0.15	20	28	37		-	27.5	8	14.5	3.2	-	2			
0130.20	20	26	10	12.5	0.16	20	28	37		-	27.5	8	14.5	3.2	-	2			
0132.06	6	12	10	12.5	0.13	20	28	37		-	27.5	8	14.5	3.2	-	1			
0132.10	10	16	10	12.5	0.14	20	28	37		-	27.5	8	14.5	3.2	-	1			
0132.15	15	21	10	12.5	0.15	20	28	37		-	27.5	8	14.5	3.2	-	2			
0132.20	20	26	10	12.5	0.16	20	28	37		-	27.5	8	14.5	3.2	-	2			
0132.30	30	36	10	12.5	0.18	20	28	37		22	27.5	-	14.5	3.2	-	3			
0132.40	40	46	10	12.5	0.20	20	28	37		32	27.5	-	14.5	3.2	-	4			
0180.10	10	18	15	18	0.23	28	37	50		-	32.5	8	14.5	3.2	-	1			
0180.15	15	23	15	18	0.24	28	37	50		-	32.5	8	14.5	3.2	-	2			
0180.20	20	28	15	18	0.25	28	37	50		-	32.5	8	14.5	3.2	-	2			
0180.30	30	38	15	18	0.28	28	37	50		-	32.5	8	14.5	3.2	-	3			
0180.40	40	48	15	18	0.30	28	37	50		32	32.5	-	18.5	3.2	-	4			
0182.10	10	18	15	18	0.23	28	37	50		-	32.5	8	14.5	3.2	-	1			
0182.15	15	23	15	18	0.24	28	37	50		-	32.5	8	14.5	3.2	-	2			
0182.20	20	28	15	18	0.25	28	37	50		-	32.5	8	14.5	3.2	-	2			
0182.30	30	38	15	18	0.28	28	37	50		-	32.5	8	14.5	3.2	-	3			
0182.40	40	48	15	18	0.30	28	37	50		32	32.5	-	18.5	3.2	-	4			
0202.06	6	13	11	15	0.14	18	28	38	50		-	32.5	8	14.5	3.2	-	1		
0202.10	10	17	11	15	0.15	18	28	38	50		-	32.5	8	14.5	3.2	-	1		
0202.15	15	22	11	15	0.16	18	28	38	50		-	32.5	8	14.5	3.2	-	2		
0202.20	20	27	11	15	0.17	18	28	38	50		-	32.5	8	14.5	3.2	-	2		
0320.20	13	24	19	25	0.32	37	47	77	---	-	62	14	21	7	1.5	1			
0320.30	19	30	19	25	0.35	37	47	77	---	-	62	14	21	7	3	2			
0320.41	24	35	16	25	0.38	37	---	77	---	11.5	62	14	21	7	1.5	2			
0320.42	24	35	19	27	0.39	37	47	77	100	11.5	62	14	21	7	1.5	2			
0320.52	29	40	19	27	0.44	37	47	77	100	16.5	62	14	21	7	1.5	3			
0320.62	37	48	19	27	0.47	37	47	77	100	24.5	62	14	21	7	1.5	4			
0450.20	38	54	24	34	0.65	52	---	---	94	---	24	52	-	21	6.1	4	3		
0450.21	38	54	24	40	0.75	52	---	---	94	---	24	52	-	21	6.1	4	3		
0450.22	38	54	28	40	0.75	52	60	75	94	110	24	52	-	21	6.1	4	3		
0450.40	58	74	24	34	0.78	52	---	---	94	---	44	52	-	21	6.1	4	5		
0450.41	58	74	24	40	0.85	52	---	---	94	110	44	52	-	21	6.1	4	5		
0450.42	58	74	28	40	0.85	52	60	75	94	110	44	52	-	21	6.1	4	5		
0450.60	78	94	24	34	0.92	52	---	---	94	---	64	52	-	21	6.1	4	7		
0450.61	78	94	24	40	0.92	52	---	---	94	---	64	52	-	21	6.1	4	7		
0450.62	78	94	28	40	0.95	52	60	75	94	110	64	52	-	21	6.1	4	7		
0450.81	103	119	24	40	1.20	52	---	---	94	---	89	52	-	21	6.1	4	9		
0450.82	103	119	28	40	1.10	52	60	75	94	110	89	52	-	21	6.1	4	9		
0450.85	103	119	24	34	1.20	52	---	---	94	---	89	52	-	21	6.1	4	9		
0625.22	65	93	34	62	1.55	---	90	125	---	200	---	47	90	-	40	9	8	5	
0625.23	65	93	34	62	1.55	---	90	125	150	200	250	300	47	90	-	40	9	8	5
0625.25	65	93	42	62	1.74	---	90	125	150	200	250	300	47	90	-	40	9	8	5
0625.40	108	126	34	56	1.40	75	90	125	---	200	---	90	90	-	40	9	8	9	
0625.42	108	136	34	62	1.70	75	90	125	---	200	---	90	90	-	40	9	8	9	
0625.43	108	136	34	62	1.70	75	90	125	150	200	250	300	90	90	-	40	9	8	9
0625.45	108	136	42	62	2.06	---	90	125	150	200	250	300	90	90	-	40	9	8	9
0625.55	125	153	42	62	2.07	---	90	125	150	200	250	300	107	90	-	40	9	8	10
0625.65	150	178	42	62	2.15	---	90	125	150	200	250	300	132	90	-	40	9	8	11
0625.75	169	197	42	62	2.37	---	90	125	150	200	250	300	151	90	-	40	9	8	13

The connecting elements for ranges 0100/0200/0300/0400 are made of plastic, for range 0600 they are made of steel!